

# Technical data sheet

## Clamp clip, single, FT plastic pressure trough

Item number: 1175696



Suitable for all C profile rails with slot width 18 mm and 22 mm.

Polypropylene pressure trough, halogen-free, colour light grey RAL 7035.



**St** Steel

**FT** Hot-dip galvanised

### Master data

Item number	1175696
Type	2056U 70 FT
Description 1	Clamp clip
Manufacturer	OBO
Dimension	64-70mm
Material	Steel
Surface	Hot-dip galvanised
Surface standard	DIN EN ISO 1461
Smallest sales unit	50
Unit of quantity	Piece
Weight	15.25 kg
Weight unit	kg/100 pc.

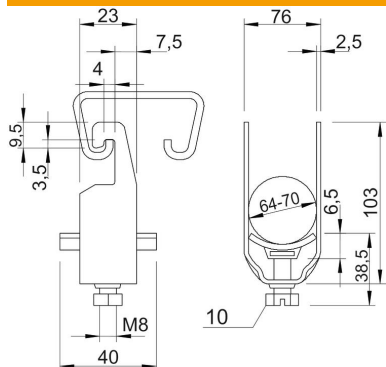
# Technical data sheet

## Clamp clip, single, FT plastic pressure trough



Item number: 1175696

### Dimensions



Dimension A	23 mm
Dimension B	76 mm
Dimension C	40 mm
Dimension G (mm)	M8
Dimension H	103 mm
Dimension L	38.5 mm
Dimension t	2.5 mm
Dimension x	6.5 mm

### Technical data

Number of cables/pipes	1
for 1 cable H	103 mm
for 1 cable L	38.5
for rail with slot width (with interval), max.	22 mm
for rail with slot width (with interval), min.	18 mm
Halogen-free	yes
Max. Tightening torque	5 Nm
With plastic trough	yes
With metal trough	no
Mounting type	Profile rail
Impact-resistant	no
Clamping range D, max.	70 mm
Clamping range D, min.	64 mm
Surface addition	hot galvanised
Material addition	Steel
With counter-trough	no
Material of trough	Plastic
Material quality of trough	Polypropylene