

# Technical data sheet

Internal corner hood, for Rapid 45-2 device installation trunking, type GK-53165  
Item number: 6113444



Internal corner for changing the direction of Rapid 45 device installation trunking.



Polycarbonate/Acrylnitrile-butadiene-styrene

## Master data

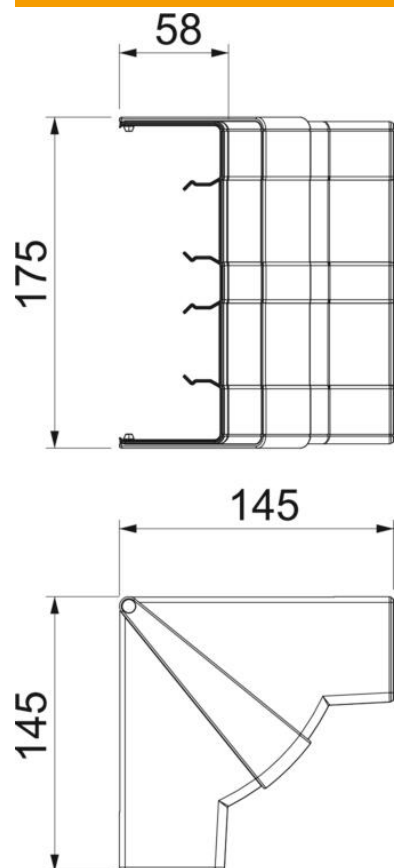
|                     |  |
|---------------------|--|
| Item number         | 6113444                                      |
| Type                | GK-IH53165AL                                 |
| Description 1       | Internal corner                              |
| Description 2       | variable                                     |
| Manufacturer        | OBO  |
| Dimension           | 175x145x145                                  |
| Colour              | Aluminium                                    |
| Material            | Polycarbonate/Acrylnitrile-butadiene-styrene |
| Smallest sales unit | 1  |
| Unit of quantity    | Piece  |
| Weight              | 14.66 kg                                     |
| Weight unit         | kg/100 pc.                                   |

# Technical data sheet

Internal corner hood, for Rapid 45-2 device installation  
trunking, type GK-53165  
Item number: 6113444



## Dimensions



|        |        |
|--------|--------|
| Length | 145 mm |
| Width  | 165 mm |
| Height | 53 mm  |

# Technical data sheet

Internal corner hood, for Rapid 45-2 device installation  
trunking, type GK-53165  
Item number: 6113444



## Technical data

|                                   |              |
|-----------------------------------|--------------|
| Number of covers                  | 1            |
| Version for                       | Hood fitting |
| Shape                             | Symmetrical  |
| Halogen-free                      | yes          |
| Cable retaining clip              | no           |
| Duct connector                    | no           |
| Cover mounting type               | Cross-over   |
| Mounting perforation in base      | no           |
| Cover width                       | 0 mm         |
| Cover width 2                     | 0 mm         |
| Cover width 3                     | 0 mm         |
| Protection rating                 | IP40         |
| Protective film                   | no           |
| Protection rating IK code         | IK08         |
| Permitted temperature range, max. | 60 °C        |
| Permitted temperature range, min. | -15 °C       |
| Angle range, max.                 | 97 mm        |
| Angle range, min.                 | 83 mm        |