

Technical data sheet

Terminal strip 1–4 mm², junction box, T series

Item number: 2016180



Terminals and screws made of steel, galvanised and transparent-chromated, nominal cross-section 1 ÷ 4 mm², rated voltage 400 V, five-pole, with socket terminals, max. connectable cross-sections per terminal: 4x2.5 mm², 5x1.5 mm² or 6x1 mm².

System accessories for T25; T40 junction box



PA Polyamide

Master data

Item number	2016180
Type	KL-T 01-04
Description 1	Terminal strip
Manufacturer	OBO
Dimension	4mm ²
Colour	Light grey
Material	Polyamide
Smallest sales unit	10
Unit of quantity	Piece
Weight	2.1 kg
Weight unit	kg/100 pc.

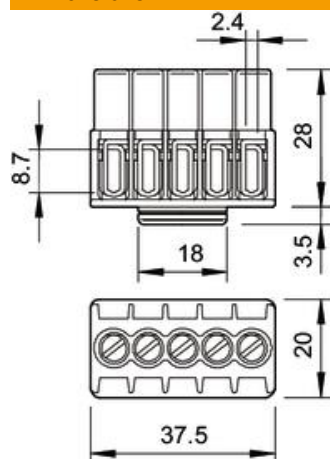
Technical data sheet

Terminal strip 1–4 mm², junction box, T series

Item number: 2016180



Dimensions



Length	37.5 mm
Width	20 mm
Height	28 mm

Technical data

Closing plate required	no
Connectable conductor cross-section, single-wire, max.	4 mm ²
Connectable conductor cross-section, single-wire, min.	1 mm ²
Connection position	Side
No. of terminals	5
Number of screwless terminals per pole	1
Version of electrical connection 1	Screw connection
Explosion-tested version	no
Insulation material	Thermoplast
Mounting type	Miscellaneous
Nominal cross-section, max.	4 mm ²
Nominal cross-section, min.	1 mm ²
Nominal voltage	400 V
Nominal current	32 A
Pole number	5
Cross-section	Max. connectable cross-sections per terminal max. 4 x 2.5 mm ² , 5 x 1.5 mm ² or 6 x 1 mm ² mm ²
Transparent	no