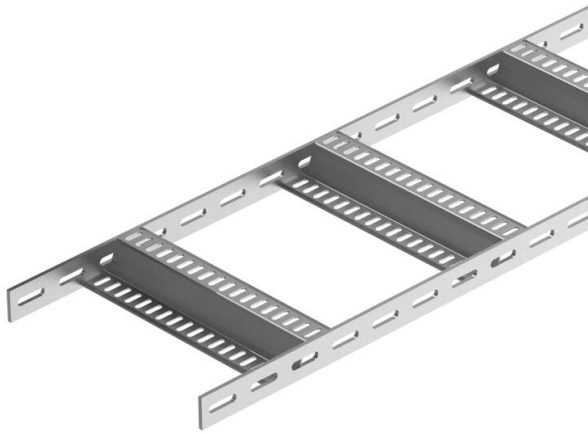


# Technical data sheet

## Cable ladder with Z rung, standard A4

Item number: 7098226



Shipbuilding cable ladder with perforated side rail of side height 40 mm with welded, perforated Z rungs. Load tested according to IEC in conjunction with connector, type SLV.

The shipbuilding cable ladder is also available in unpainted steel on request.



**A4** Stainless steel

**2B** Bright, treated

### Master data

|                     |                            |
|---------------------|----------------------------|
| Item number         | 7098226                    |
| Type                | SLZ 300 A4                 |
| Description 1       | Cable ladder, shipbuilding |
| Description 2       | with Z-rung                |
| Manufacturer        | OBO                        |
| Dimension           | 40x310x3000                |
| Material            | Stainless steel            |
| Surface             | Bright, treated            |
| Surface standard    |                            |
| Smallest sales unit | 3                          |
| Unit of quantity    | Metre                      |
| Weight              | 427.67 kg                  |
| Weight unit         | kg/100 m                   |

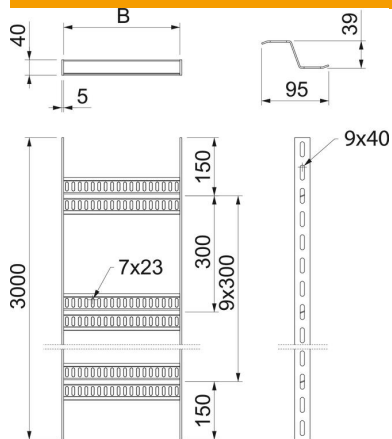
# Technical data sheet

## Cable ladder with Z rung, standard A4

Item number: 7098226



### Dimensions



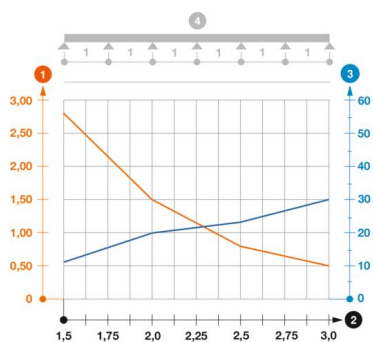
|             |          |
|-------------|----------|
| Dimension   | 40x300   |
| Length      | 3,000 mm |
| Length      | 3,000 ft |
| Width       | 300 mm   |
| Height      | 40 mm    |
| Dimension B | 310 mm   |

### Technical data

|                               |                    |
|-------------------------------|--------------------|
| Version of the rungs          | Profile perforated |
| Side rail version             | Flat profile       |
| Fastening of rung             | Welded             |
| Maintain electrical functions | no                 |
| Rustproof steel, pickled      | yes                |
| Side perforation              | yes                |
| Rung distance                 | 300 mm             |
| Wide-span version             | no                 |
| Rail thickness                | 5 mm               |

### Loads

|                       |          |
|-----------------------|----------|
| Support spacing 1.5 m | 2.8 kN/m |
| Support spacing 2.0 m | 1.5 kN/m |
| Support spacing 2.5 m | 0.8 kN/m |
| Support spacing 3.0 m | 0.5 kN/m |



Load diagram, cable ladder, type SLZ A2 A4

- 1 Permitted cable tray/ladder load in kN/m without man load
- 2 Support width in m
- 3 Rail bend in mm at permitted kN/m
- Load curve with cable tray/ladder width in mm
- Strut bend curve according to support width
- 4 Load scheme during testing